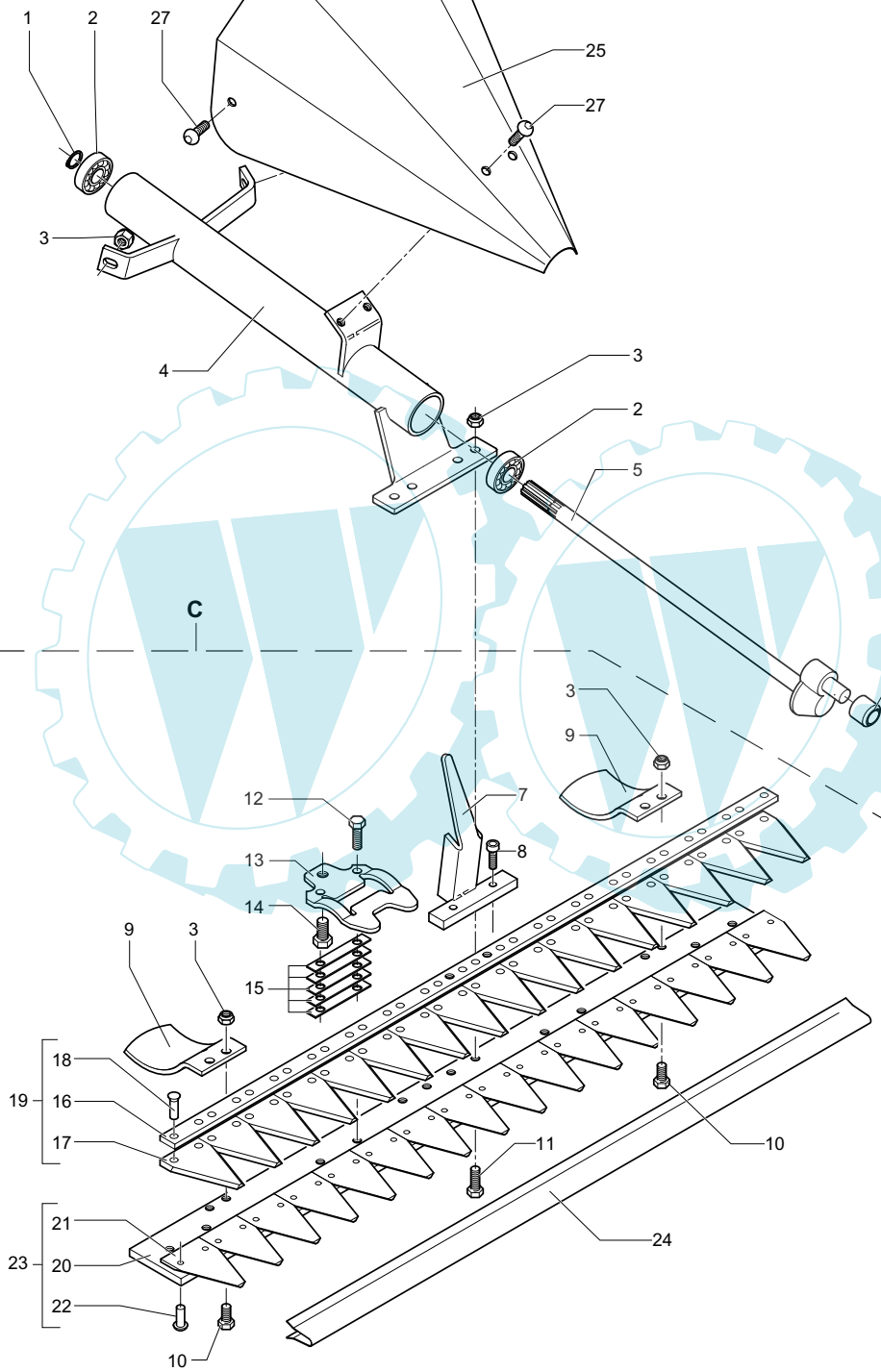
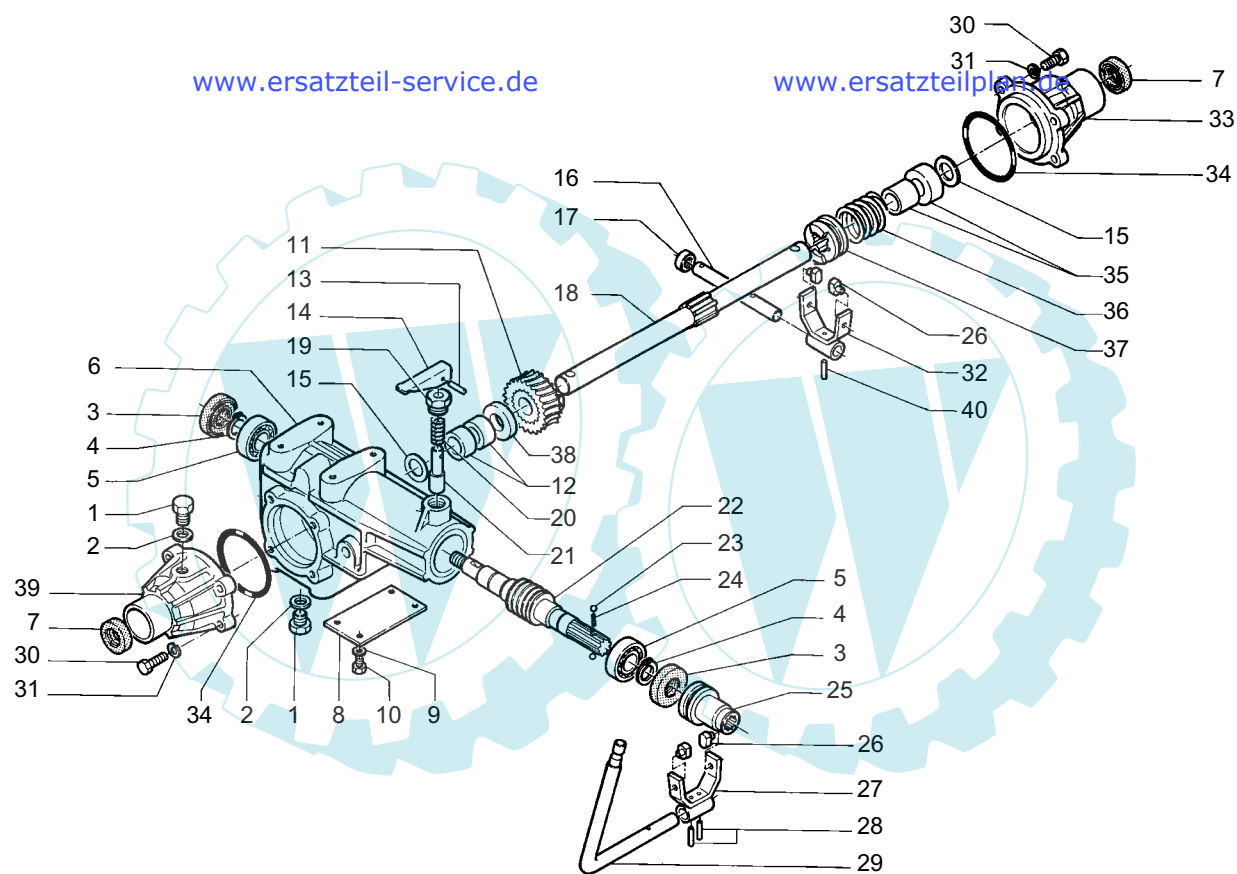


Pos.	PN ELX	PN MEP	DESCRIPTION	Q.ty	NOTE
1	531207131	10800033	sheating	2	www.ersatzteilplan.de
2	531205404	10128521	handle	1	
3	531204429	09128490	cable	1	
4	531205411	10128580	handle	1	
5	531205393	10128393	safety housing	1	
6	531207809	10826800	pin	2	
7	531205408	10128543	pulley	1	
8	531204922	10114200	washer	13	8x16x1,5 ZB
9	531205395	10128423	knob	1	
10	531205398	10128450	rod	1	
11	531205422	10128683	clutch handle	1	
12	531207408	10651300	cotter pin	1	1.1x17
13	531208491	20281800	nut	4	M6 H8 UNI7473-ZB
14	531204961	10115900	washer	2	6,5E
15	531205442	10129060	spring	2	
16	531208772	20655800	seeger	1	D.12E DIN 471
17	531204430	09128633	pulley	1	
18	531205399	10128500	lever	1	
19	531205448	10129400	tie rod	1	
20	531208783	20659300	support	1	
21	531205407	10128530	spacer	2	
23	531205400	10128510	spring	1	
24	531207430	10654300	screw	5	TE 5/16"UNF x 5/8"(=16mm)
25	531207981	20106200	washer	21	D.8E DIN 6798
26	531205388	10128230	belt slide	1	
27	531205387	10128220	nut	1	M12x1,5 H10 UNI5588-SN
28	531205386	10128210	washer	1	12/36/2,5
29	531205384	10128170	belt	1	A 32 NEO/NEG/2C
30	531205385	10128200	pulley	1	
31	531208585	20382300	screw	3	TE M8x20 UNI 5739-8.8-ZB
32	531207841	10830700	screw	4	TCTC D6x19 FX
33	531205409	10128553	joint	1	
34	531207122	10428900	washer	2	10x21x2
35	531206653	10281400	cotter pin	1	1,8 x 33
36	531207409	10651400	pin	1	
37	531204435	09129660	cable	1	mm.630/962 T
38	531205390	10128320	metal ring	2	
39	531205410	10128573	shock absorber	4	
40	531205392	10128380	support	1	
41	531207980	20103800	screw	9	TE M8x16 UNI 5739-8.8-ZB
42	531205396	10128430	support	1	
43	531207982	20106300	nut	9	M8 H8 UNI 5587-6S ZB
44	531205397	10128443	ring	1	
45	531205416	10128601	deck	1	
46	531205271	10122710	pin with spring	2	
47	531207441	10655200	screw	4	TE M6x40 UNI5737-8.8-ZB
48	531207270	10547300	screw	2	TE M5x12 UNI5739-8.8-ZB

Pos.	PN ELX	PN MEP	DESCRIPTION	Q.ty	NOTE
49	531207516	06679703	last board	1	www.ersatzteilplan.de
50	531204436	09129680	accelerator	1	
51	531208661	20501380	nut	2	M5 H5 UNI5587-6S ZB
52	531205394	10128400	screw	2	M10x80 TB STQ (QUADRO h.2)
53	531205389	10128310	pin	2	
54	531207487	10661000	metal ring	1	D.61
55	531207484	10660700	pulley	1	D.61
56	531207485	10660800	bush	1	D.61
57	531207486	10660900	spacer	1	D.61 H 23,8
58	531207432	10654500	key	1	4,75x4,75x23 UNI 92
59	531205196	10121700	screw	4	TE M8x35 UNI5739-8,8-ZB
60	531205439	10129043	support	1	
61	531208599	20404900	nut	1	M8 H10 UNI7473-ZB
62	531208069	20122960	key	1	5x6,5
63	531206595	10231600	resilient pin	1	D.5x22
64	531205383	10128150	lever	1	
67	531208145	20128770	inner tube	2	
68	531208144	20128763	tyre	2	
71	531205426	10128804	wheel	1	DX D.350
72	531205441	10129053	support	1	
73	531205429	10128814	wheel	1	SX D.350
74	531204427	09128010	gear-box	1	
75	531208182	20129354	rim	2	
76	531207380	10602400	washer	1	13x24x0,5
80	531206970	10303403	knop	1	
81	531206337	10162820	plate	1	
82	531206346	10162910	screw	1	TE M5x40 UNI5739-45-Z.
83	531207838	10830300	screw	1	TE M5x16 UNI5739-8,8-ZB
84	531208492	20282100	nut	1	M5 H7 UNI7473-ZB
85	531208661	20501380	nut	2	M5 H5 UNI5587-6S ZB



Pos.	PN ELX	PN MEP	DESCRIPTION	Q.ty	NOTE
1	531208153	20128880	seeger	1	16E
2	531208152	20128870	ball-bearing	2	6203/2RS D17/40/12
3	531208599	20404900	nut	10	M8 H10 UNI7473-ZB
4	531208141	20128730	sleeve	1	
5	531210752	20129710	shaft	1	
6	531210753	10129720	bushing	1	
7	531208171	20129190	blade slide	1	
8	531208172	20129200	screw	2	M7x16 TC TC
9	531210754	20129730	support	2	
10	531208585	20382300	screw	4	TE M8x20 UNI5739-8.8-ZB
11	531208586	20385300	screw	4	TE M8x25 UNI5739-8,8-ZB
12	531210755	10129740	screw	8	TE M8x22
13	531210756	20129750	guide blade	4	
14	531208170	20129180	screw	4	10Mx16 TE
15	531208180	20129330	plate	20	
16	531208165	20129110	rod	1	
17	531209019	30129130	blade	28	
18	531209095	30234700	rivet	28	D 5,3x11
19	531208166	20129140	rod	1	
20	531208143	20128750	plate	1	
21	531209017	30129090	blade	15	
22	531209101	30243100	rivet	30	D 5,3x14
23	531208164	20129100	plate	1	
24	531208480	20244400	safety houding	1	
25	531208139	20128714	safety housing	1	
27	531208140	20128720	screw	4	M8x20 TC TCI
A	531204304	08129694	complete blade		
C	531210513	09129770	motor housing bottom		



Pos.	PN ELX	PN MEP	DESCRIPTION	Q.ty	NOTE
1	531208413	20228224	plug	2	
2	531208414	20228225	gasket	2	
3	531208105	20128140	gas ring	2	
4	531206599	10232100	seeger	2	Ø 42
5	531208107	20128160	roller bearing	2	
6	531208094	20128021	reduction gear box	1	
7	531208102	20128110	gas ring	2	
8	531208120	20128340	cover	1	
9	531208499	20286606	washer	4	Ø 6E
10	531206630	10244800	screw	4	M6x10
11	531208097	20128050	crown gear	1	
12	531208178	20129310	spacer	1	
13	531208118	20128300	resilient pin	1	
14	531208117	20128290	lever	1	
15	531208067	20122930	washer	2	
16	531208108	20128180	shaft	1	
17	531208608	20441200	gas ring	1	
18	531208098	20128060	shaft	1	
19	531208109	20128190	nut	1	
20	531208115	20128270	spring	1	
21	531208116	20128280	pin	1	
22	531208096	20128040	shaft	1	
23	531208122	20128370	ball	2	
24	531208121	20128360	spring	1	
25	531208114	20128260	joint	1	
26	531208101	20128090	slider shoe	4	
27	531208100	20128080	fork	1	
28	531208484	20245000	resilient pin	2	
29	531208113	20128250	lever	1	
30	531208586	20385300	screw	8	
31	531206617	10239900	washer	8	
32	531208112	20128240	fork	1	
33	531208095	20128030	cover	1	
34	531208125	20128410	gas ring	2	
35	531208104	20128130	spacer	1	
36	531208119	20128330	spring	1	
37	531208099	20128070	clutch	1	
38	531208179	20129320	washer	1	
39	531208184	20129410	cover	1	
40	531208185	20129420	resilient pin	1	
74	531204427	09128010	gear reduct.unit	1	M8x25

www.ersatzteil-service.de

www.ersatzteilplan.de

